

Aqua-Pure®

Spec # _____

Quantity _____

Models:

AP810/AP810-2/AP811/AP811-2
Whole House Water Filters

Applications:

- Sediment/Rust

At a Glance:

- New and Improved Formulation
- Flow Rates up to 45 gpm (170 lpm)
- Up to 25% Longer Life*



AP810-2 / AP811-2



AP810 / AP811

Product Benefits:

- Technology provides fine sediment filtration down to 5 micron**
- Grooved cartridge increases surface area for longer cartridge life
- Rigid construction helps to eliminate sediment “unloading” due to variances in water pressure
- Ideal for larger (2.5 baths) homes and commercial applications

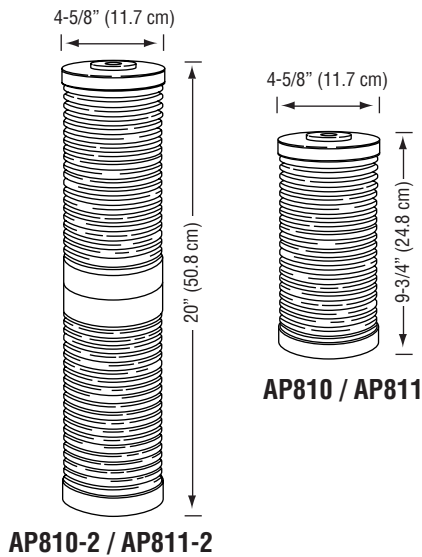
* as compared to the previous formulation

** AP810/AP810-2

Product Specifications:

Model No. (Part No.)	Dimensions		Flow Rate	Max. Water Temp.	Degree of Filtration
	Height	Diameter			
AP810 (56189-02)	9-3/4" (24.8 cm)	4-5/8" (11.7 cm)	20 gpm (76 lpm)	100°F (37.8°C)	5 micron nominal
AP810-2 (56189-03)	20" (50.8 cm)	4-5/8" (11.7 cm)	45 gpm (170 lpm)		
AP811 (56189-04)	9-3/4" (24.8 cm)	4-5/8" (11.7 cm)	20 gpm (76 lpm)		25 micron nominal
AP811-2 (56189-05)	20" (50.8 cm)	4-5/8" (11.7 cm)	45 gpm (170 lpm)		

Aqua-Pure®



Spec #

Quantity

Model Number

Part Number

Specifications:

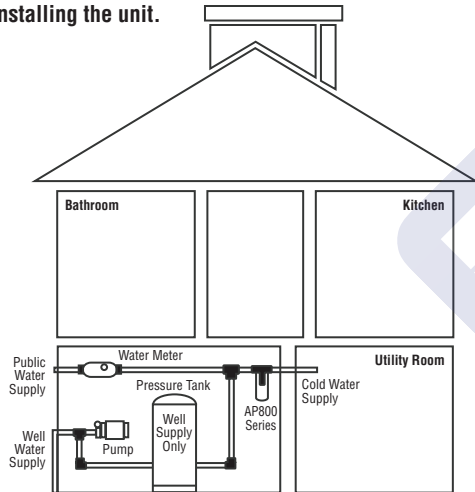
- Cartridge is manufactured from FDA CFR-21 compliant materials
- Cartridge has a maximum operating temperature of 100°F (37.8°C)
- Cartridge to be installed at point of entry

Fits all 3M Purification Inc. and most competitive filter housings

AP810	AP810-2	AP811	AP811-2
AP801	AP802	AP801	AP802
AP801-C	AP802-1.5-C	AP801-C	AP802-1.5-C
AP801T-C		AP801T-C	
AP801-1.5-C		AP801-1.5-C	

Easy Installation:

CAUTION: Diagram shown is for reference purposes only. Read installation and operation manual prior to installing the unit.



⚠ WARNING: To reduce the risk associated with the ingestion of contaminants: Do not use with water that is microbiologically unsafe or of unknown quality without adequate disinfection before or after the system.

CAUTION

To reduce the risk associated with property damage due to water leakage:

- Read and follow Use Instructions before installation and use of this system.
- The disposable filter cartridge **MUST** be replaced every 6 months, at the rated capacity or sooner if a noticeable reduction in flow rate occurs.

3M Purification Inc. recommends regularly scheduled maintenance and replacement of the filter cartridge(s) in order for the product to perform as advertised.

Limited Warranty:

3M Purification Inc. warrants this Product will be free from defects in material and manufacture for the period of one (1) year from the date of purchase. This warranty does not cover failures resulting from abuse, misuse, alteration or damage not caused by 3M Purification Inc. or failure to follow installation and use instructions. No warranty is given as to the service life of any filter cartridge or membrane as it will vary with local water conditions and water consumption. **3M PURIFICATION INC. MAKES NO OTHER WARRANTIES OR CONDITIONS, EXPRESS OR IMPLIED, INCLUDING, BUT NOT LIMITED TO, ANY IMPLIED WARRANTY OR CONDITION OF MERCHANTABILITY OR FITNESS FOR A PARTICULAR PURPOSE OR ANY IMPLIED WARRANTY OR CONDITION ARISING OUT OF A COURSE OF DEALING, CUSTOMER OR USAGE OF TRADE.** If the Product fails to satisfy this Limited Warranty during the warranty period, 3M Purification Inc. will replace the Product or refund your Product purchase price. This warranty does not cover labor. **The remedy stated in this paragraph is Customer's sole remedy and 3M Purification Inc.'s exclusive obligation.** For additional information, see the entire Limited Warranty located in the product Installation and Operating Instruction Manual.

Distributed by:

3M Purification Inc.
400 Research Parkway
Meriden, CT 06450 U.S.A.
Toll Free: 1-800-222-7880
Worldwide: 203-237-5541
Fax: 203-238-8701
www.aquapure.com • www.3mpurification.com

Aqua-Pure is a trademark of 3M Company used under license
3M is a trademark of 3M Company
© 2013 3M Company. All rights reserved.
70020233667 REV 0513b

Aqua-Pure®

Spec # _____

Quantity _____

Models:

AP817 / AP817-2

Whole House Water Filters

Applications:

- Sediment/Rust*
- Chlorine Taste and Odor*

At a Glance:

- Polyethylene Outer Shell
- PolyKLEAN™ Center Core
- Granular Activated Carbon



AP817-2



AP817

Product Benefits:

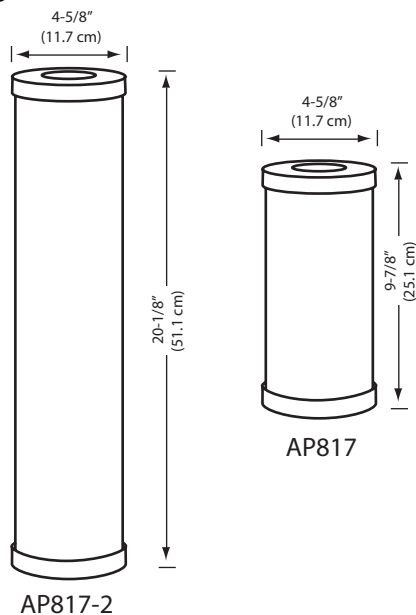
- 25 micron sediment is captured on the rigid polyethylene outer shell
- 40,000 gallon carbon reduction capacity at 10 gpm provides up to 6 months service for all your home's water
- Radial flow design allows for use of finer, more effective activated carbon and yields a very low pressure drop
- Double open ended design fits most large diameter housings. Cartridge will filter water regardless of which way it is installed in housing
- Neoprene gaskets on both top and bottom provide exceptional sealing in any housing, helping to prevent bypass of unfiltered water down-stream

Product Specifications:

Model No. (Part No.)	Dimensions		Flow Rate	Max. Water Temp.	Degree of Filtration
	Height	Diameter			
AP817 (56027-01)	9-7/8" (25.1 cm)	4-5/8" (11.7 cm)	10 gpm (37.9 lpm)	100°F (37.8°C)	25 micron nominal
AP817-2 (56027-07)	20-1/8" (51.1 cm)	4-5/8" (11.7 cm)	20 gpm (75.7 lpm)	100°F (37.8°C)	25 micron nominal

* Claims not tested or certified by NSF

Aqua-Pure®

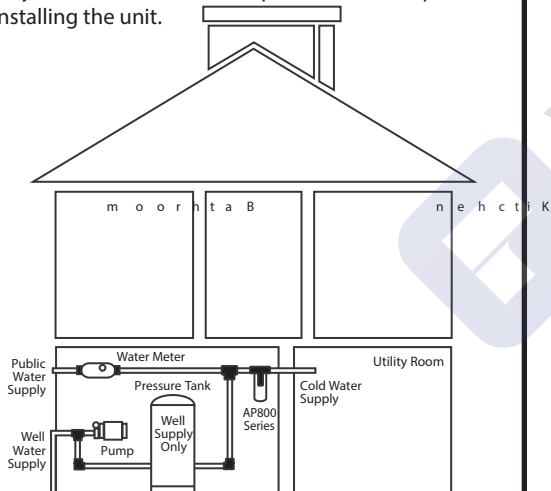


AP817-2

AP817

Easy Installation:

CAUTION: Diagram shown is for reference purposes only. Read installation and operation manual prior to installing the unit.



Spec #

Quantity

Model Number

Part Number

Physical Specifications:

- Cartridge is manufactured from FDA CFR-21 compliant materials
- Cartridge has a maximum operating temperature of 100°F (37.8°C)
- Cartridge to be installed at point of entry

Fits all CUNO and most competitive filter housings	
AP817	AP817-2
AP801	AP802
AP801-C	AP802-1.5-C
AP801T-C	
AP801-1.5-C	

WARNING: Do not use with water that is microbiologically unsafe or of unknown quality without adequate disinfection before or after the system.

CUNO Incorporated recommends regularly scheduled maintenance and replacement of the filter cartridge(s) in order for the product to perform as advertised/sold. Change the filter cartridge at least every 6 months. Improper installation and maintenance may result in property damage due to water leakage.

Limited Warranty:

CUNO Incorporated warrants that this product is free from defects in materials and workmanship. This limited warranty, together with any and all warranties implied by law, shall be limited to a period of one (1) year from the date of original purchase. This limited warranty does not apply to failures that result from abuse, misuse, alteration or damage not caused by CUNO or failure to properly comply with these installation or cartridge change-out instructions. This limited warranty is subject to exclusions and limitations. Please refer to the Warranty Card provided with the product for details.

Distributed by:



Filter-Online
Nordic Filtration Solution

Sunekær 1 • 5471 Sønderød • Denmark
Tlf.: +45 70 40 42 22
mail: info@filter-online.com
web: www.filter-online.com



COMPONENT

Visit www.nsf.org for the claims associated with products that are NSF listed.



a 3M company



CUNO, Aqua-Pure and PolyKLEAN are trademarks of 3M Company used under license.
NSF is a trademark of NSF International.
© 2007 3M Company. All rights reserved.
LITAP932 0707

Aqua-Pure®

Spec # _____

Quantity _____

Models:

AP110 Series / AP124 Series

Whole House Water Filters

Applications:

- Pre-Filtration
- Particulate/Rust

At a Glance:

- Up to 30% Longer Lasting*
- 47% More Surface Area*
- 50% More Efficient*



AP110-2



AP110 / AP124

Product Benefits:

- Patent pending technology provides fine sediment filtration down to 5 micron**
- Grooved cartridge increases surface area for longer cartridge life, by 132% over non-grooved and 47% over the previous design
- Rigid construction helps to eliminate sediment “unloading” due to variances in water pressure

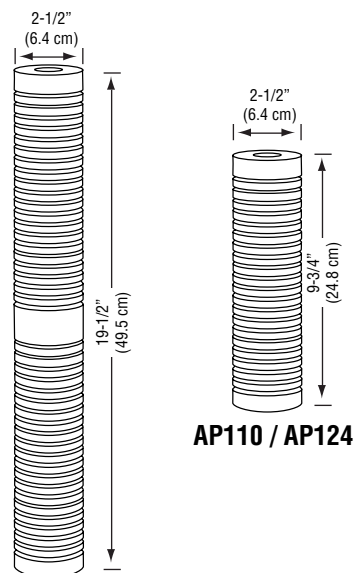
* as compared to original AP110 design

** depends on model selected

Product Specifications:

Model No. (Part No.)	Dimensions		Flow Rate	Max. Water Temp.	Degree of Filtration
	Height	Diameter			
AP110 (56204-04) (56204-06)	9-3/4" (24.8 cm)	2-1/2" (6.4 cm)	8 gpm (30.3 lpm)	170°F (76.7°C)	5 micron nominal
AP110-2 (56204-05)	19-1/2" (49.5 cm)	2-1/2" (6.4 cm)	16 gpm (60.6 lpm)	170°F (76.7°C)	5 micron nominal
AP124 (56206-01) (56206-05)	9-3/4" (24.8 cm)	2-1/2" (6.4 cm)	8 gpm (30.3 lpm)	170°F (76.7°C)	50 micron nominal

Aqua-Pure®

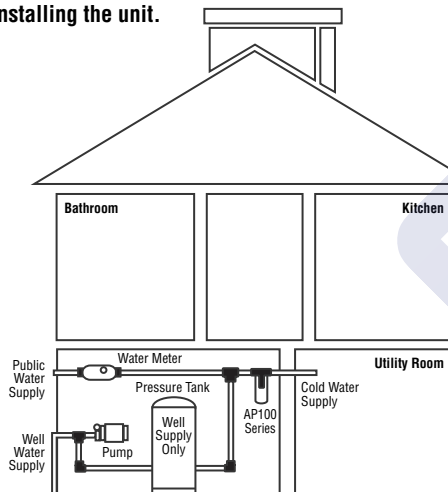


AP110-2

AP110 / AP124

Easy Installation:

CAUTION: Diagram shown is for reference purposes only. Read installation and operation manual prior to installing the unit.



Spec # _____

Quantity _____

Model Number _____

Part Number _____

Physical Specifications:

- Cartridge is manufactured from FDA CFR-21 compliant materials
- Cartridge has a maximum operating temperature of 170°F (76.7°C)
- Cartridge to be installed at point of entry

Fits all 3M Purification Inc. and most competitive filter housings		
AP110	AP110-2	AP124
AP11T	AP12T	AP11T
AP101T	AP102T	AP101T
AP1610SS	AP2610SS	AP1610SS
SST1HA	SST2HB	SST1HA
SS4 EPE-316L (4 carts)		SS4 EPE-316L (4 carts)
SS8 EPE-316L (8 carts - 2 high)		SS8 EPE-316L (8 carts - 2 high)
SS12 EPE-316L (12 carts - 3 high)		SS12 EPE-316L (12 carts - 3 high)
SS20 EPE-316L (20 carts - 4 high)		SS20 EPE-316L (20 carts - 4 high)
SS24 EPE-316L (24 carts - 2 high)		SS24 EPE-316L (24 carts - 2 high)
SS36 EPE-316L (36 carts - 3 high)		SS36 EPE-316L (36 carts - 3 high)

⚠ WARNING: To reduce the risk associated with the ingestion of contaminants:

- Do not use with water that is microbiologically unsafe or of unknown quality without adequate disinfection before or after the system.

3M Purification Inc. recommends regularly scheduled maintenance and replacement of the filter cartridge(s) in order for the product to perform as advertised/sold. 3M Purification Inc. shall not be liable for system failures due to improper maintenance.

CAUTION: To reduce the risk associated with property damage due to water leakage:

- The disposable filter cartridge **MUST** be replaced every six (6) months, at the rated capacity or sooner if a noticeable reduction in flow rate occurs.

Limited Warranty:

Limited Warranty: 3M Purification Inc. warrants this Product will be free from defects in material and manufacture for five (5) years from the date of purchase. The filter cartridge or filter membrane is warranted to be free from defects in material and manufacture for one (1) year. This warranty does not cover failures resulting from abuse, misuse, alteration or damage not caused by 3M Purification Inc. or failure to follow installation and use instructions. No warranty is given as to the service life of any filter cartridge or membrane as it will vary with local water conditions and water consumption. **3M PURIFICATION INC. MAKES NO OTHER WARRANTIES OR CONDITIONS, EXPRESS OR IMPLIED, INCLUDING, BUT NOT LIMITED TO, ANY IMPLIED WARRANTY OR CONDITION OF MERCHANTABILITY OR FITNESS FOR A PARTICULAR PURPOSE OR ANY IMPLIED WARRANTY OR CONDITION ARISING OUT OF A COURSE OF DEALING, CUSTOMER OR USAGE OF TRADE.** If the Product fails to satisfy this Limited Warranty during the warranty period, 3M Purification Inc. at its option will replace the Product or refund your Product purchase price. This warranty does not cover labor. **The remedy stated in this paragraph is Customer's sole remedy and 3M Purification Inc.'s exclusive obligation. For additional information, see the entire Limited Warranty located in the product Installation and Operating Instruction Manual.**

Limitation of Liability. 3M Purification Inc. will not be liable for any loss or damage arising from this 3M Purification Inc. product, whether direct, indirect, special, incidental, or consequential, regardless of the legal theory asserted, including warranty, contract, negligence or strict liability. Some states and countries do not allow the exclusion or limitation of incidental or consequential damages, so the above limitation or exclusion may not apply to you.

3M Purification Inc.
400 Research Parkway
Meriden, CT 06450 U.S.A.
Toll Free: 1.800.222.7880
Worldwide: 203.237.5541
Fax: 203.238.8701
www.aquapure.com • www.3mpurification.com



El-Kanonien Tower,
15,16th FLR., Maadi Nile
Corniche, Cairo – Egypt
Tel : +202 25287755
Fax : +202 25287635
Hotline:19667
Website: www.saswt.com
Email: info@saswt.com



Visit www.nsf.org for
the claims associated
with products that
are NSF listed.

Distributed by:

Aqua-Pure is a trademark of 3M Company used under license
3M is a trademark of 3M Company
NSF is a trademark of NSF International.
© 2011 3M Company. All rights reserved.
70-0202-2006-0 REV 1211

Aqua-Pure®

Spec # _____

Quantity _____

Models:

**AP Easy CS-S / AP Easy LC /
AP Easy Complete**

Drinking Water Systems

Applications:

- Chlorine Taste & Odor
- Sediment*
- Lead
- Parasitic Protozoan Cysts
- VOCs**

At a Glance:

- Easy to select the right product
- Easy to install, no special tools required
- Easy to maintain, filter change is a twist



AP Easy CS-S

AP Easy LC

AP Easy Complete

Product Benefits:

- All systems reduce Chlorine Taste & Odor and Sediment helping provide better tasting water and cleaner ice cubes for your refrigerator
 - AP Easy LC also reduces Lead and Parasitic Protozoan Cysts
 - AP Easy Complete also reduces Lead, Parasitic Protozoan Cysts, VOCs**, Mercury, Turbidity and Asbestos
- Designed with built-in bypass valve – no need to shut off water for cartridge change
- Everything included for most installations

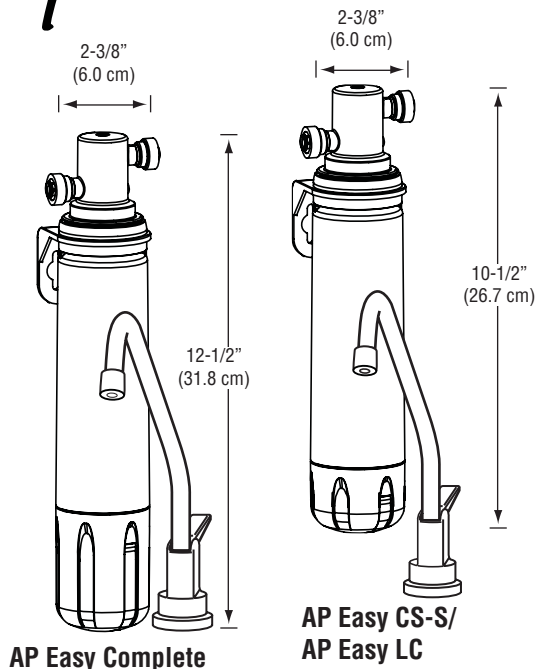
*Claims not tested or certified by NSF

**VOCs include: Lindane, Atrazine, Benzene, Carbofuran, 1,4-dichlorobenzene and Toxaphene

Product Specifications:

Model No. (Part No.)	Inlet/ Outlet Size	Dimensions		Flow Rate	Capacity	Max. Water Temp.	Max. Water Pressure	Std. Replacement Ctg. No.
		Height	Diameter					
AP Easy CS-S (56179-05)	1/4" Push	10-1/2" (26.7 cm)	2-3/8" (6.0 cm)	0.75 gpm (2.8 lpm)	750 gallons (2,839 liters)	100°F (37.8°C)	120 psi (827 kPa)	C-CS-S (56180-09)
AP Easy LC (56179-06)								C-LC (56180-11)
AP Easy Complete (56179-04)		12-1/2" (31.8 cm)	C-Complete (56180-07)					

Aqua-Pure®



Spec # _____

Quantity _____

Model Number _____

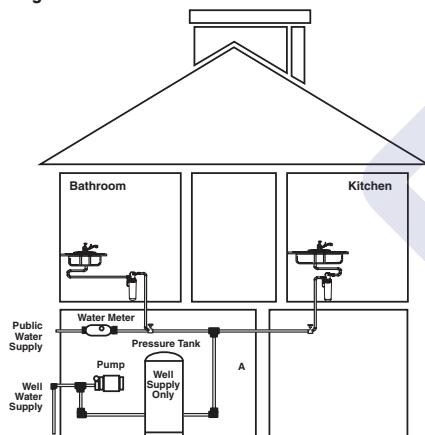
Part Number _____

Physical Specifications:

- 1/4" Quick Connect fittings
- System is a single vessel design
- System is manufactured from FDA CFR-21 compliant materials
- System has a maximum operating pressure of 125 psi (862 kPa) and operating temperature of 100°F (37.8°C)
- System includes attached mounting bracket
- System includes dedicated faucet
- System to be installed on primary kitchen or bath cold water line

Easy Installation:

CAUTION: Diagram shown is for reference purposes only. Read installation and operation manual prior to installing the unit.



WARNING: Do not use with water that is microbiologically unsafe or of unknown quality without adequate disinfection before or after the system. The contaminants or other substances removed or reduced by this water filter are not necessarily in all users water. Systems certified for cyst reduction may be used on disinfected water that may contain filterable cysts.

EPA Establishment Number 070595-CT-001

AP Easy Systems not for sale in California or Iowa

CUNO Incorporated recommends regularly scheduled maintenance and replacement of the filter cartridge(s) in order for the product to perform as advertised/sold. **Change the filter cartridge at least every 6 months. Improper installation and maintenance may result in property damage due to water leakage.**

Limited Warranty:

CUNO Incorporated warrants that this product is free from defects in materials and workmanship. This limited warranty, together with any and all warranties implied by law, shall be limited to a period of one (1) year from the date of original purchase. This limited warranty does not apply to failures that result from abuse, misuse, alteration or damage not caused by CUNO or failure to properly comply with these installation or cartridge change-out instructions. This limited warranty is subject to exclusions and limitations. Please refer to the Warranty Card provided with the product for details.

Distributed by:



El-Kanonien Tower,
15,16th FLR., Maadi Nile
Corniche, Cairo – Egypt
Tel : +202 25287755
Fax : +202 25287635
Hotline:19667
Website: www.saswt.com
Email: info@saswt.com

CUNO and Aqua-Pure are trademarks of 3M Company used under license.
NSF is a trademark of NSF International.
© 2007 3M Company. All rights reserved.
LITAP884 0807



Visit www.nsf.org for
the claims associated
with products that
are NSF listed.



CUNO Incorporated
400 Research Parkway
Meriden, CT 06450 U.S.A.
Toll Free: 1.800.222.7880
Worldwide: 203.237.5541
Fax: 203.238.8701
www.aquapure.com • www.cuno.com